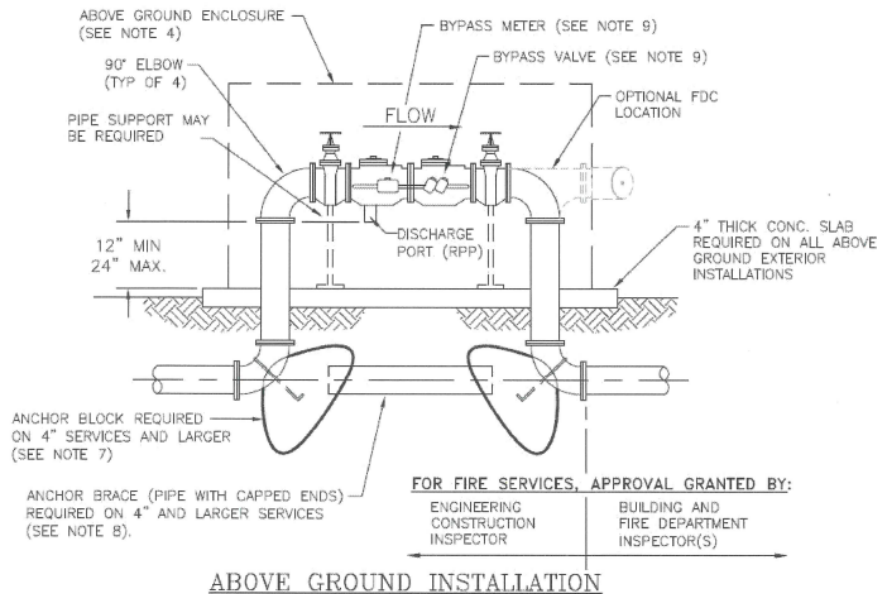
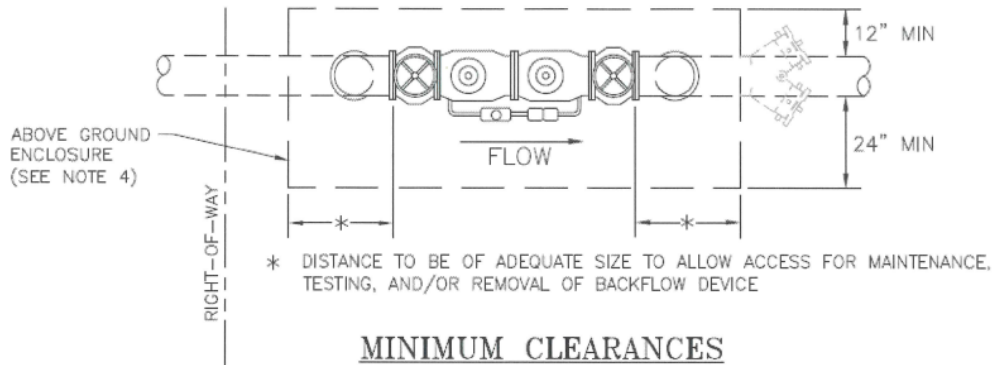


SECTION 131.00

REDUCED PRESSURE PRINCIPLE SERVICE (RPP) - 4" and Larger



NOTES:

1. Backflow devices are required under the State of California's Administration Code, Title 17, and shall be installed in accordance thereof.
2. Backflow devices shall be installed within the District's right-of-way or easement. As close as practical to the water main connection, per CCR Title 22.
3. All backflow devices shall be inspected and tested upon initial installation by a certified backflow tester (AWWA or ABPA).
4. All backflow devices shall be placed in an approved enclosure per Section 132.20.
5. All construction and all materials used shall be in accordance with the District's Construction Standards.
6. All above ground piping installations 4" and larger shall be ductile iron pipe with flanged fittings.
7. All thrust blocks or anchors to be designed on an individual basis per Section 103.00.
8. Contractor has the option of designing and constructing concrete anchors as shown or placing a continuous concrete block between elbows. If soil is undisturbed, Contractor may omit the brace with prior District approval.
9. All fire services are required to have a bypass line which shall have a detector check valve, a meter and the attachment of the bypass line shall be threaded.